

Installation Note:

- Ensure adequate fixing locations for the Pipe HEX mounting brackets. Timber battens should be added if required.
- Ensure the horizontal SW framing is positioned away from the top of the Pipe HEX.
- Any soil pipe insulation and/or sound deadening should be held away from the Recoup Pipe HEX. A 9mm ply panel divide can be installed between the SVP and Pipe HEX to do this without changing the boxing shown.

Disclaimer:

This boxing detail incorporates the Recoup Pipe HEX within the boxing space and the Recoup Turbo Rotator within the ceiling cavity. Repositioning the height of the Pipe HEX and orientation of the Turbo Rotator will allow other boxing sizes. All designs and details should be checked to ensure compliance with current building regulations at time of use. All final details are the responsibility of the designer and not Recoup Energy Solutions.

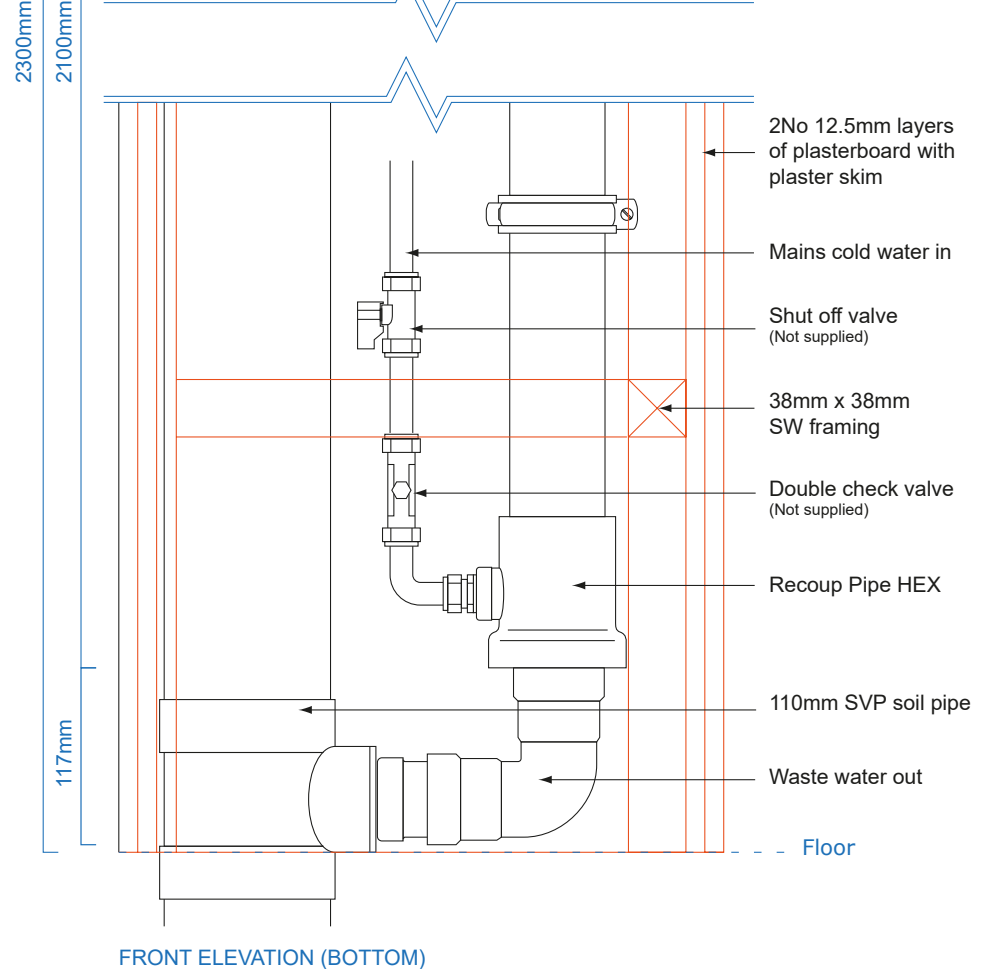
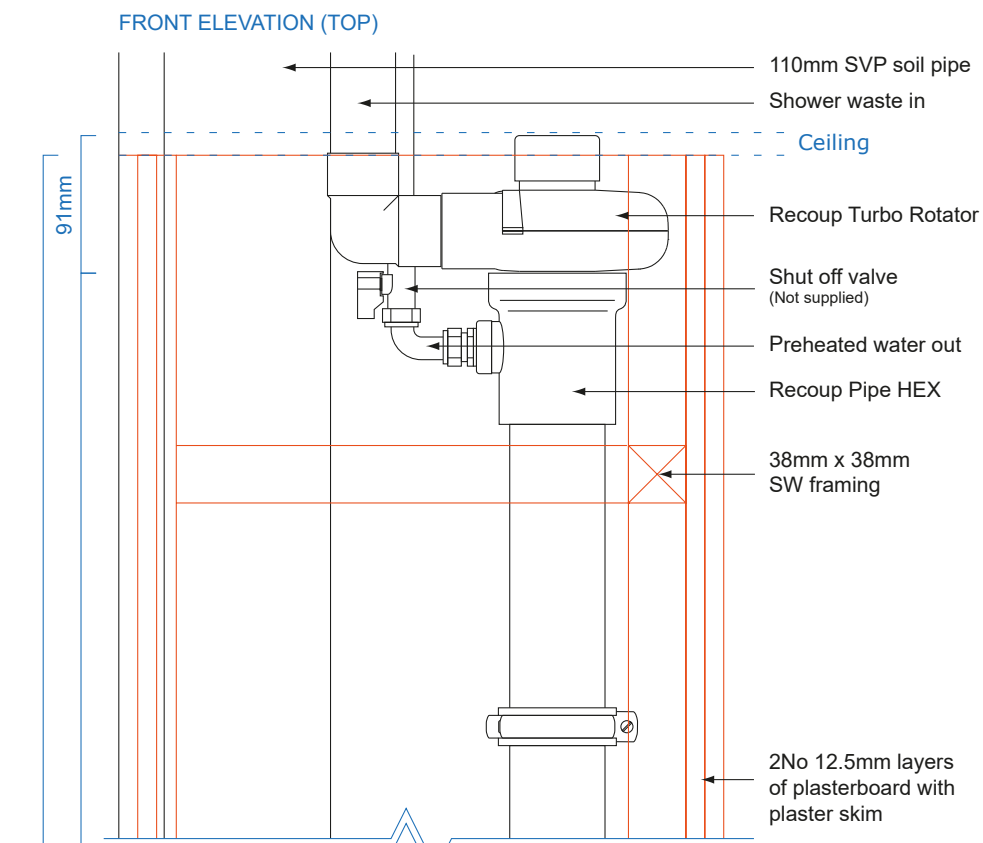
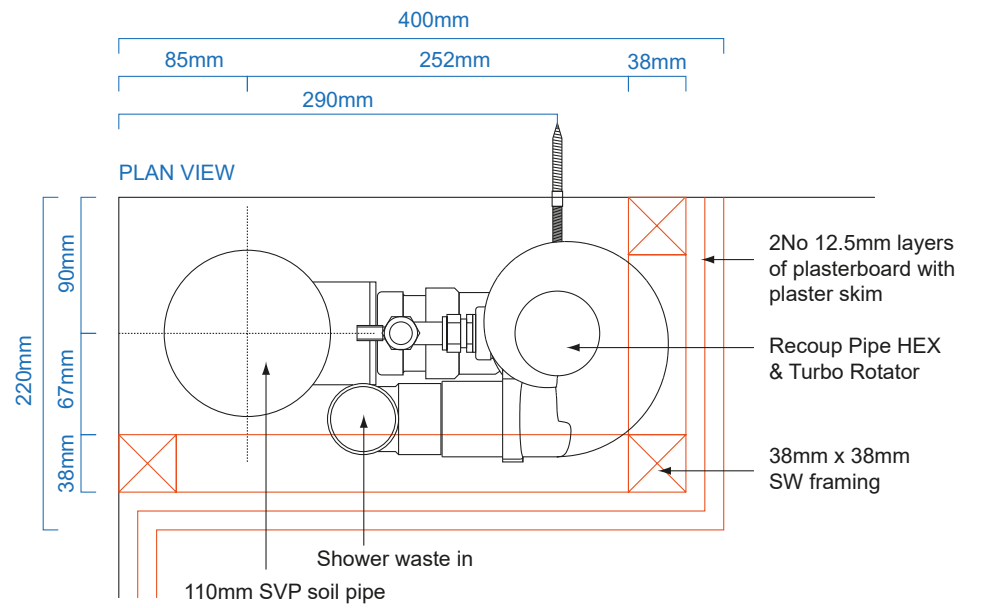
These drawings are specific to Waste Water Heat Recovery for Showers (WWHRS). Recoup Energy Solutions Ltd do not hold any responsibility for the design or M&E integration of WWHRS to the cold water services. It is the responsibility of the installer to read the specification and installation instructions. WWHRS drawings and installation documentation must be adhered to. THIS DRAWING REMAINS THE PROPERTY OF RECOUP ENERGY SOLUTIONS LTD.



t: 01379 844010
e: info@recoup.co.uk
w: www.recoup.co.uk

Recoup Energy Solutions Ltd, PO Box 365, Eye, IP22 9BH

Title: Recoup Pipe HEX Boxing Diagram with Turbo Rotator in the Ceiling Space
Date: 25 / 05 / 2022
Scale: Scale 1:5 @ A3



Installation Note:

- Ensure adequate fixing locations for the Pipe HEX mounting brackets. Timber battens should be added if required.
- Ensure the horizontal SW framing is positioned away from the Turbo Rotator at the top of the boxing.
- Any soil pipe insulation and/or sound deadening should be held away from the Recoup Pipe HEX. A 9mm ply panel divide can be installed between the SVP and Pipe HEX to do this but would increase the boxing shown to 440mm x 220mm.

Disclaimer:

This boxing detail incorporates the Recoup Pipe HEX and the Recoup Turbo Rotator within the boxing space as a potential boxing solution. Repositioning the height of the Pipe HEX and orientation of the Turbo Rotator will allow other boxing sizes. All designs and details should be checked to ensure compliance with current building regulations at time of use. All final details are the responsibility of the designer and not Recoup Energy Solutions.

These drawings are specific to Waste Water Heat Recovery for Showers (WWHRS). Recoup Energy Solutions Ltd do not hold any responsibility for the design or M&E integration of WWHRS to the cold water services. It is the responsibility of the installer to read the specification and installation instructions. WWHRS drawings and installation documentation must be adhered to. THIS DRAWING REMAINS THE PROPERTY OF RECOUP ENERGY SOLUTIONS LTD.



t: 01379 844010
 e: info@recoup.co.uk
 w: www.recoup.co.uk

Recoup Energy Solutions Ltd, PO Box 365, Eye, IP22 9BH

Title: Recoup Pipe HEX Boxing Diagram with Turbo Rotator in the Boxing

Date: 25 / 05 / 2022

Scale: Scale 1:5 @ A3